



AdaptaBeacon® Heavy Duty Strobe

Weatherproof

93 & 93DF Series

FEATURES

- > Weatherproof
- > Single and double flash models
- > Optically designed fresnel lens
- > Cast base may be used as a junction box
- > Immune to shock and vibration

AGENCY APPROVALS

- > UL 1638 Listed
- > cUL Listed

The Edwards 93 Series AdaptaBeacon Heavy Duty strobe lights are for use where more frequent and longer lasting signaling cycles may be required. They are designed with a series of complementing fresnels that cause the dome to "fill" with light each time the strobe flashes. Beam distance is increased with external fresnel lenses. These strobes are also available in "double flash" versions that double the on-time (50 double flashes per minute).

The 93 Series' trigger and timing circuits are included as integral parts of the power supply. Replacement costs are reduced as it is necessary to replace only the strobe tube.

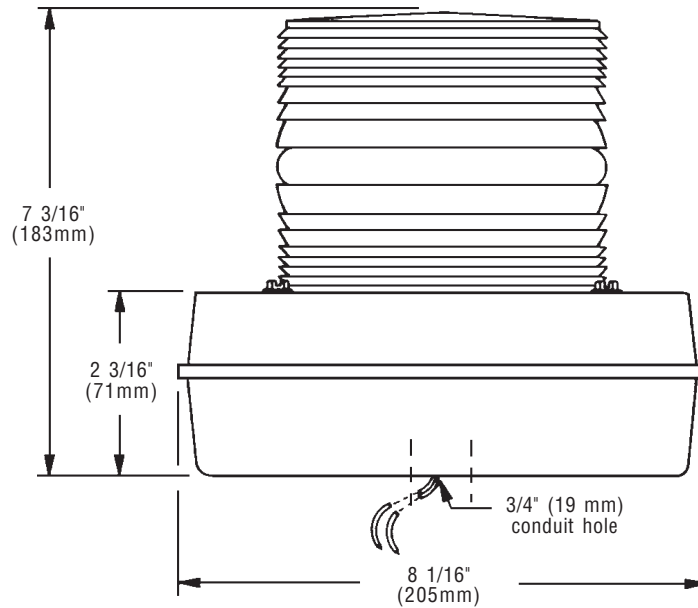
Designed for indoor or outdoor installation. May be direct or 3/4" (19mm) conduit mounted on any plane. However, vertical installation ensures maximum beam width projection. For weatherproof installations, units must be mounted vertically with dome up. May be corner mounted using the Cat.No. CBR, corner mount bracket, or wall mounted using the Cat.No. WBR, wall mount bracket. See AdaptaBeacon Accessories, page 3-118.

The 93 Series is ideally suited for installations where high ambient light levels make traditional rotating or flashing lights difficult to distinguish. The gasketed weatherproof design assures installation acceptability in most industrial and commercial locations.

They are used to signal equipment malfunctions, security intrusions, or pinpointing problem locations.



TECHNICAL INFORMATION



Cat. No.	Lens Color	Type Flash	Replacement Lens	Electrical Ratings	Replacement Strobe Tube	Peak Candlepower
93R-N5	Red	Single	93-LR	120V 50/60 Hz	92-ST	800,000 cd
93A-N5	Amber	65 fpm	93-LA	0.1 Amp	3,000 hour*	
93B-N5	Blue		93-LB			
93G-N5	Green		93-LG			
93M-N5	Magenta		93-LM			
93C-N5	Clear		93-LC			
93R-R5	Red	Single	93-LR	240V 50/60 Hz	92-ST	800,000 cd
93A-R5	Amber	65 fpm	93-LA	0.05 Amp	3,000 hour*	
93B-R5	Blue		93-LB			
93G-R5	Green		93-LG			
93M-R5	Magenta		93-LM			
93C-R5	Clear		93-LC			
93DFR-N5	Red	Double	93-LR	120V 50/60 Hz	92-ST	1,100,000 cd
93DFA-N5	Amber	50 dfpm	93-LA	0.1 Amp	3,000 hour*	
93DFB-N5	Blue		93-LB			
93DFG-N5	Green		93-LG			
93DFM-N5	Magenta		93-LM			
93DFC-N5	Clear		93-LC			
93DFR-R5	Red	Double	93-LR	240V 50/60 Hz	92-ST	1,100,000 cd
93DFA-R5	Amber	50 dfpm	93-LA	0.05 Amp	3,000 hour*	
93DFB-R5	Blue		93-LB			
93DFG-R5	Green		93-LG			
93DFM-R5	Magenta		93-LM			
93DFC-R5	Clear		93-LC			

*Calculated at operating power to 75% efficiency.